

> TURN TABLE

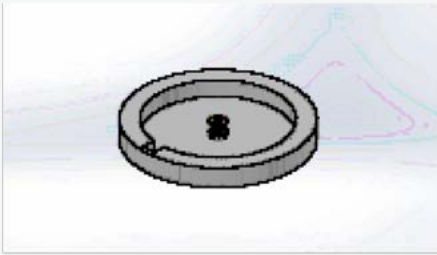
WE EXPAND
YOUR PARKING
CAPACITY



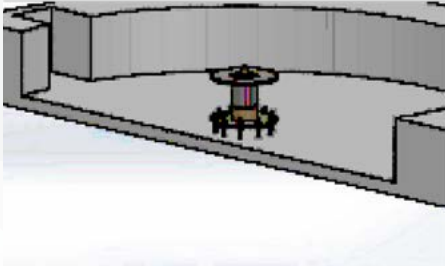
SanPark

DATASHEET

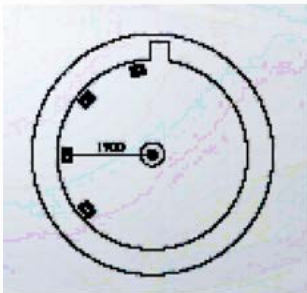
» INSTALLATION OF TURNTABLE



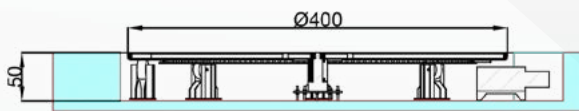
Center bearing should be located in the middle of pit. Then drill the holes into the pit with existing holes of bearing.



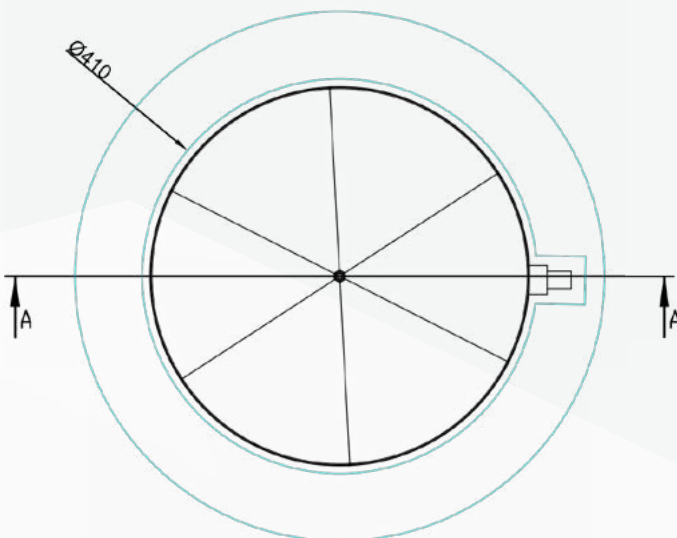
Make the height adjustment.



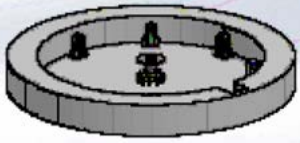
The lower rollers are arranged to half of the pit 1900mm away from the center.



SECTION A-A



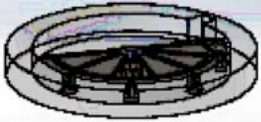
Explanation	TURNTABLE
Turntable Capacity	2000 kg
Turntable Diameter	4 m
Pit Diameter	4,1m
Pit Depth	0,5m
Rotating Speed	2.6 r/min
Engine	1,5 kW / 3 Phase
Direction of Rotation	Right and Left 360°
Hydraulic Power	380 V / 3 Phase



Drill holes for the anchor into the hole using the existing holes. Connection should be made height adjustment to be made.



Place half of the turntable circle on top of the roller which has been placed



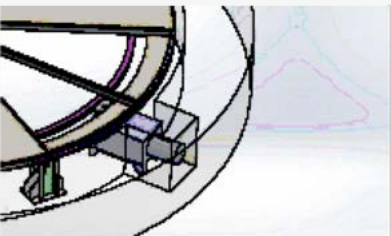
According to ground level, lower rollers and the center bearing height adjustment should be made.



The remaining roller's installation should be made according to adjusted height.



Motor should be placed in the maintenance space. The remaining turntable circle should be placed to the pit. Circles should be connected to each other.

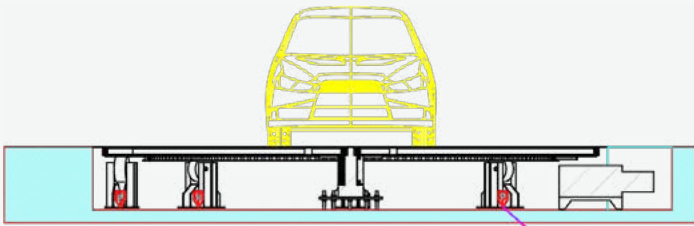


The motor gear should be set to the turning circle into the slots on the bottom of the turntable.

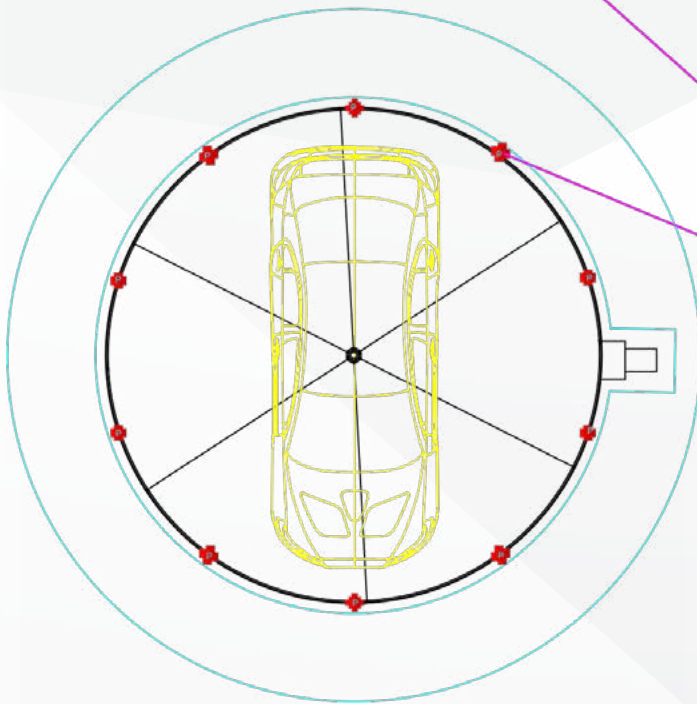


So the location of the motor is determined. Then the motor should be fixed to the location.

» STATIC LOADS



Explanation	TURNTABLE
Max. Vehicle Weight	2000 kg
TurnTable Weight	2000 kg
Number of Rails	10



LOAD POINTS

$$4000 \text{ kg} \times 9,81 = 39240 \text{ N}$$

$$10 \text{ P} = 39,24 \text{ kN}$$

$$\text{P} = 3,92 \text{ kN}$$